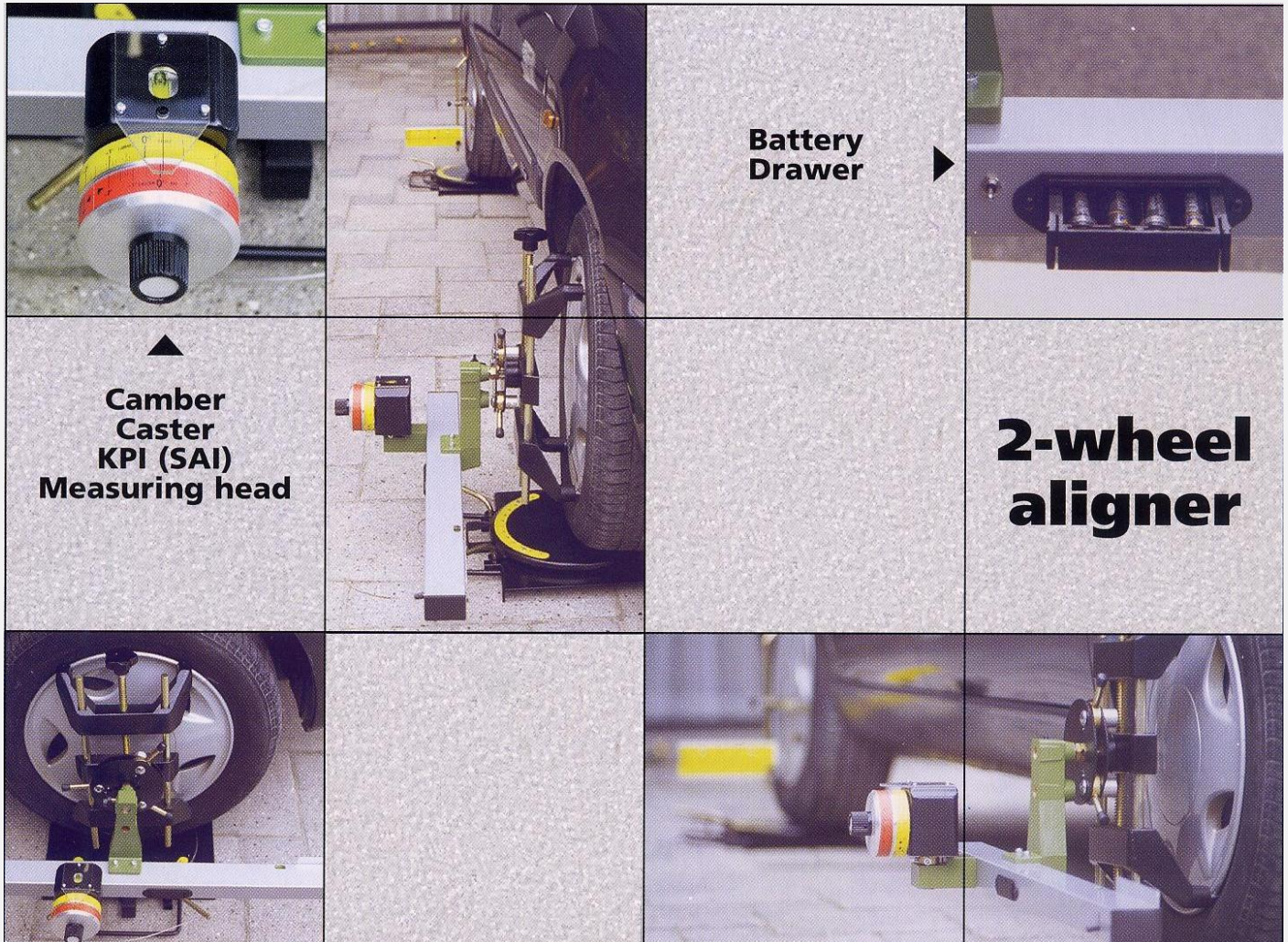


# GEO LUX II

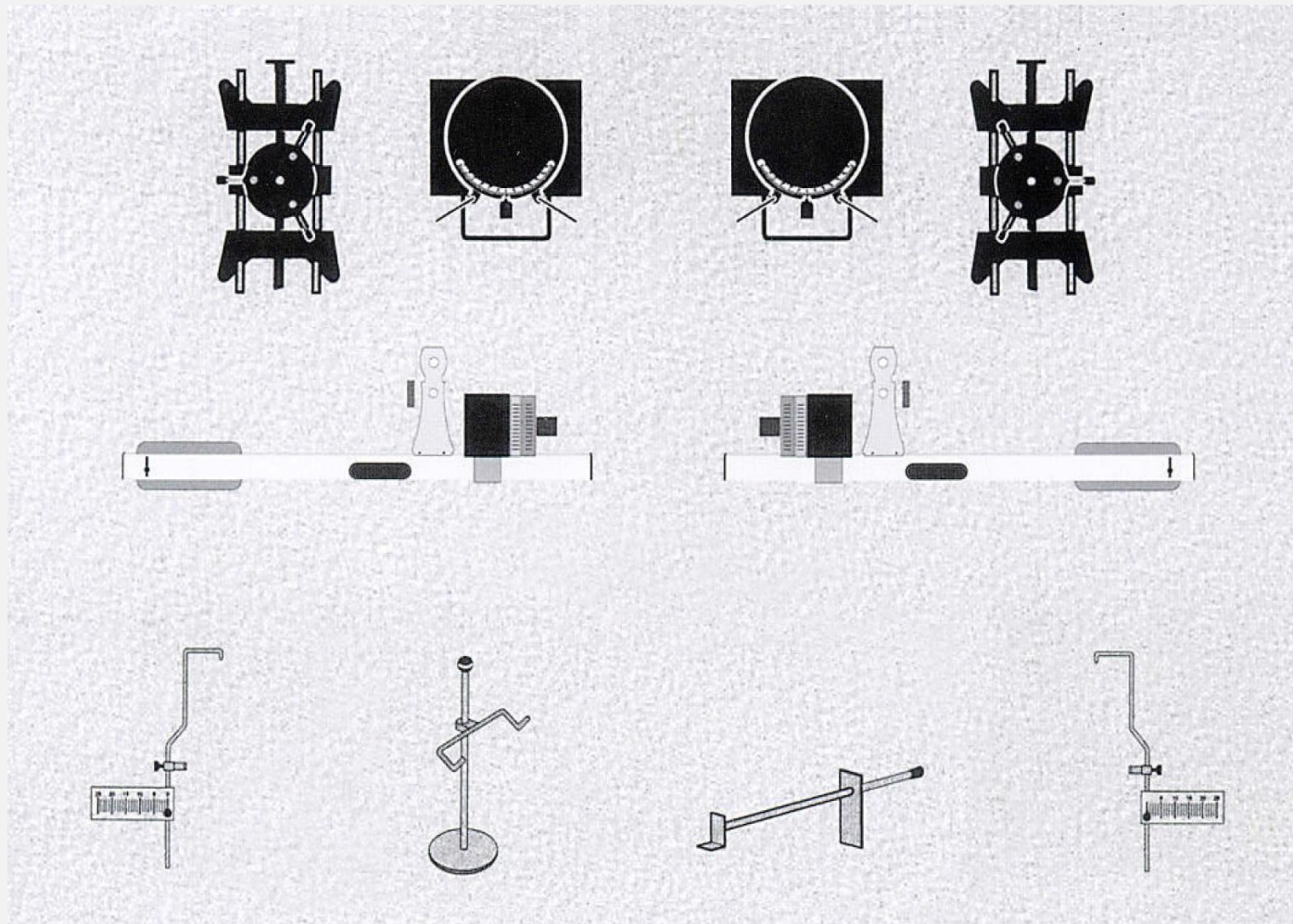


## Laser wheel aligner



# GEOLUX II

## Laser wheel aligner



### GeoLux II is delivered as a complete system

GeoLux is a laser aligner powered by battery pack, using normal size batteries AA size.

Each projector emits two laser beams, one for Toe and one rear beam, which is used for centering a steering wheel and rear wheel alignment.

Camber, Caster and KPI is measured by very accurate spirit level. The readings are taken from precise scales placed on knobs.

With GeoLux it is possible to measure total toe, individual(left, right) toe, Camber and centering of the steering wheel in one operation.

Caster and KPI are measured by making Caster swing of 20 or 10 deg. using scales on a turntables.

### Ranges:

Total toe:	-15 to +30 mm	Turning angle:	0° to ± 60°
Camber:	-4° to +8°	Rear size:	12" to 20"
Caster, KPI:	-2° to 15°		